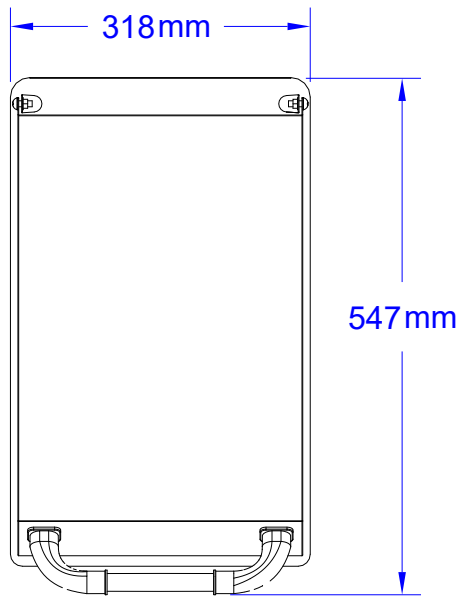
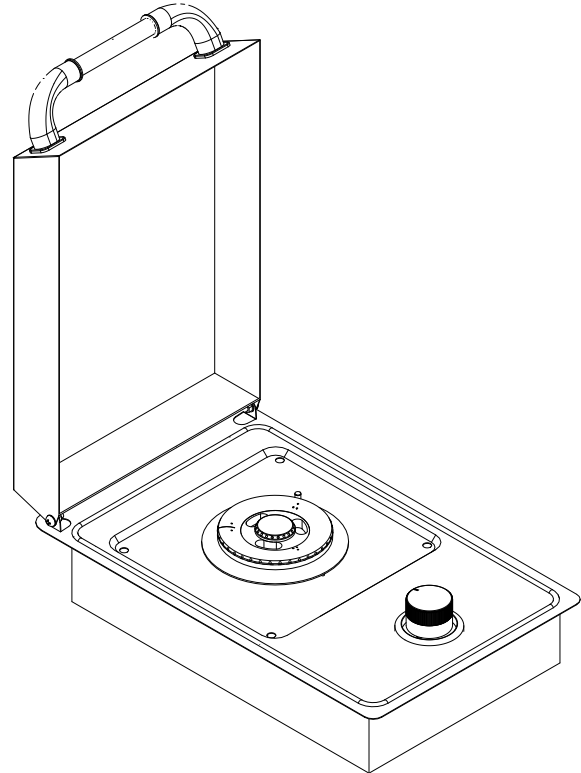




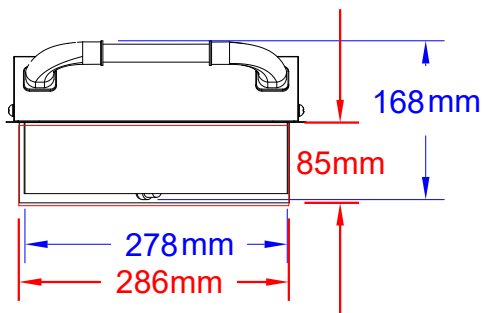
ITEMS: #60008CE LP, #60009CE NG  
SINGLE SIDE BURNER



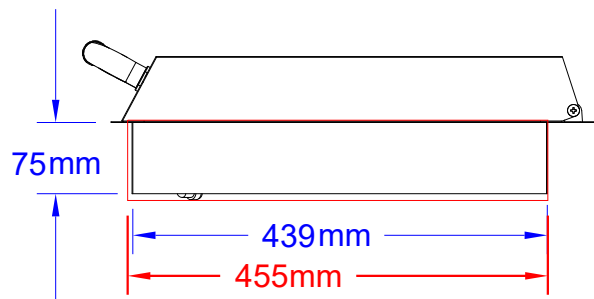
Top View



Isometric View



Front View



Side View

SPEC SHEET NOTES:

1. CUT DIMENSION 286L X 445D X 85H
2. SCALE: 1 : 8 Printer page scaling none, do not use fit to printable area option
3. REVISION: 08/2019